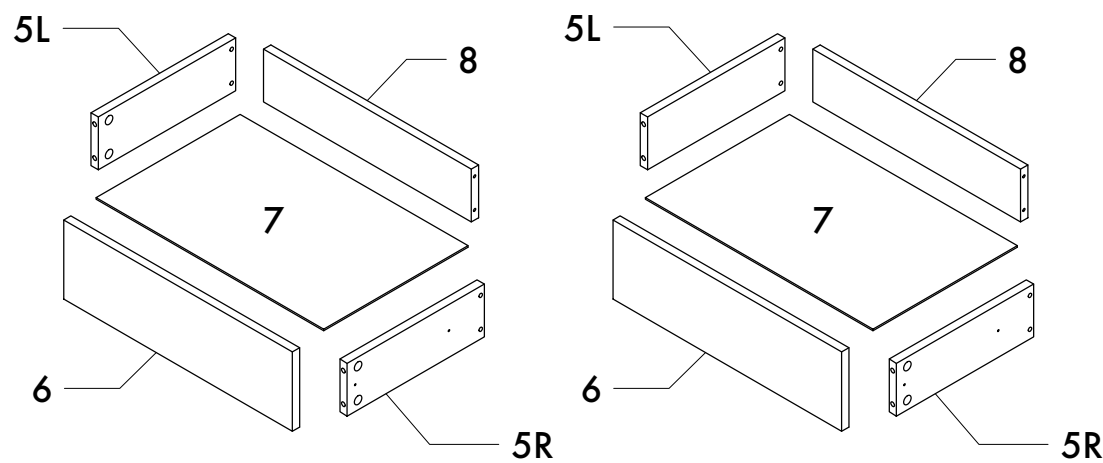
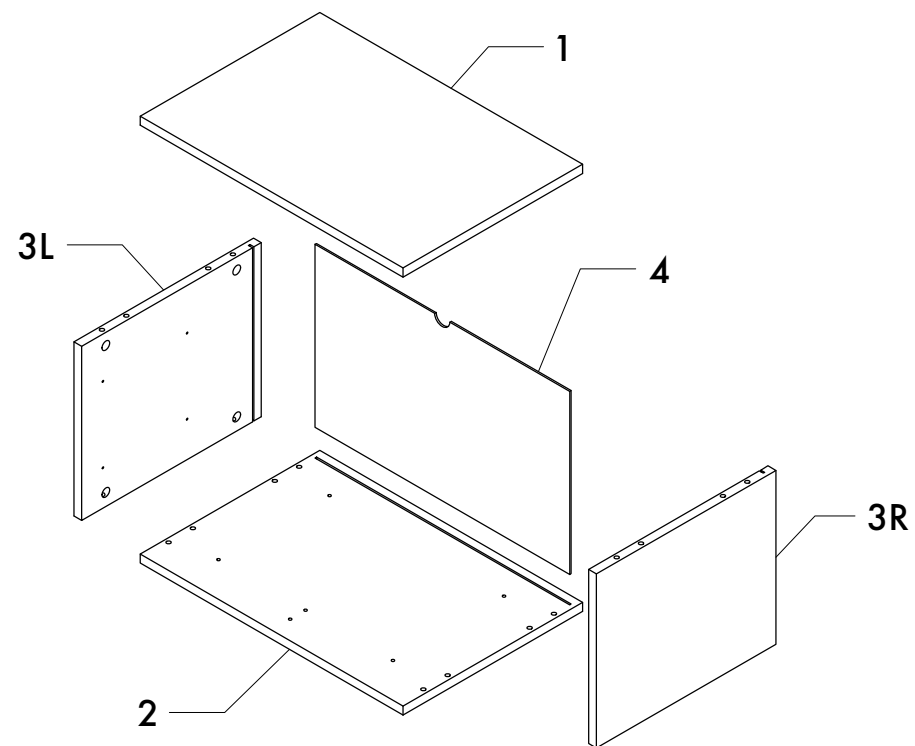
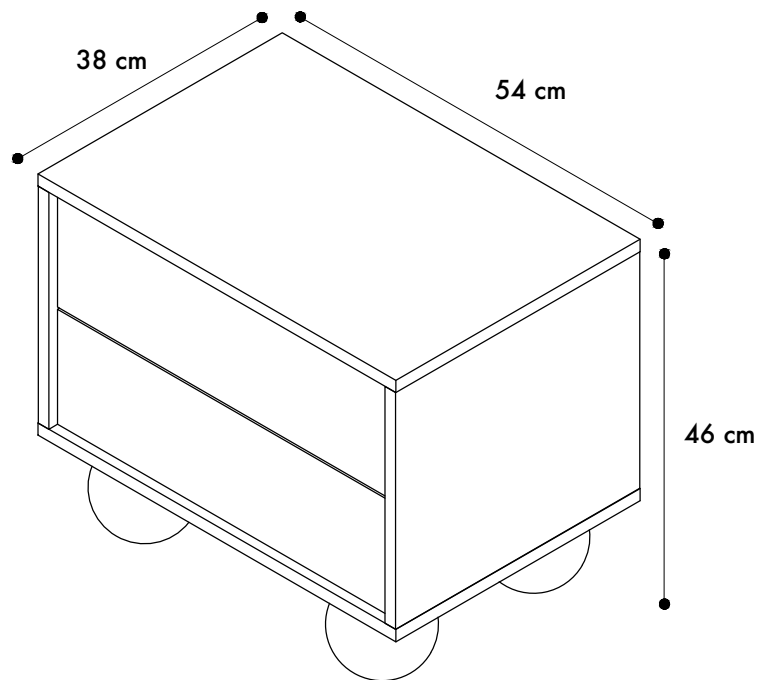
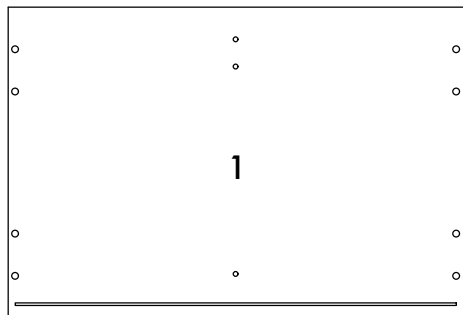
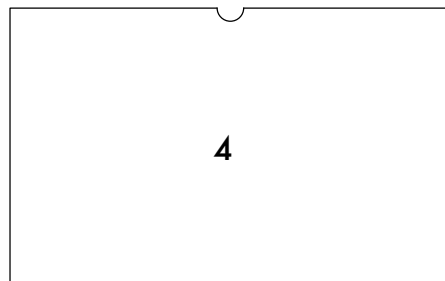


# SN54

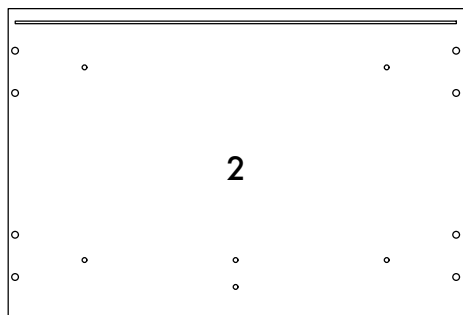




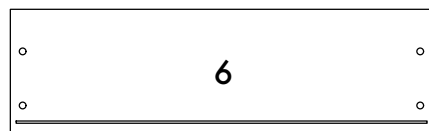
540x380x16mm



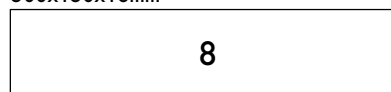
520x323x3mm



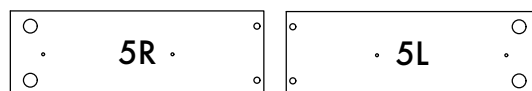
540x380x16mm



500x150x16mm

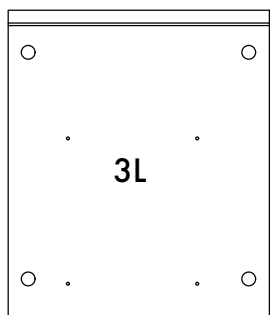


449x100x16mm

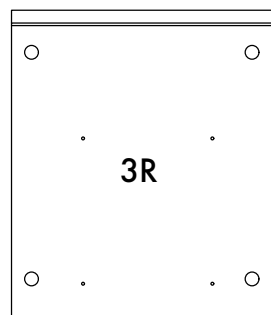


300x100x16mm

300x100x16mm



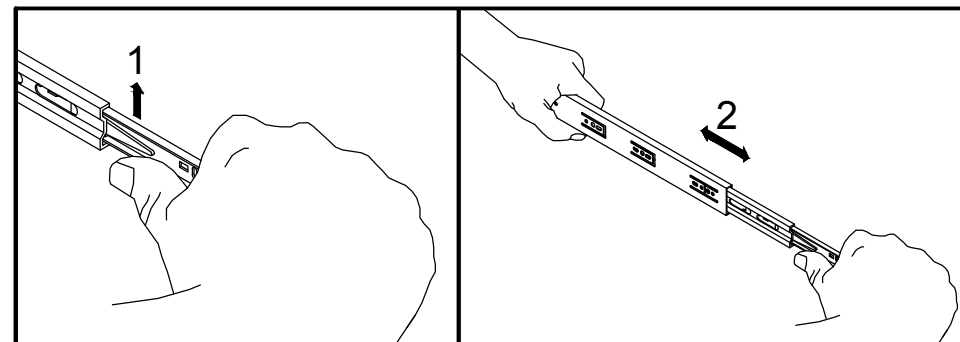
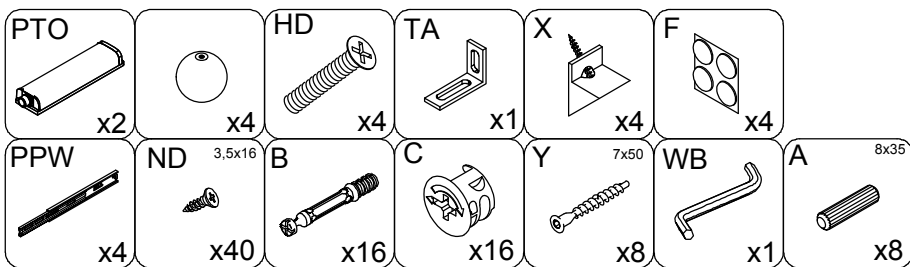
380x309x16mm



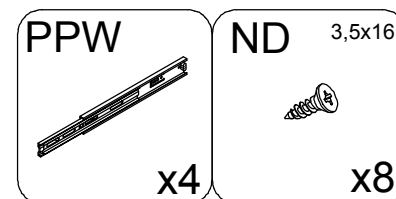
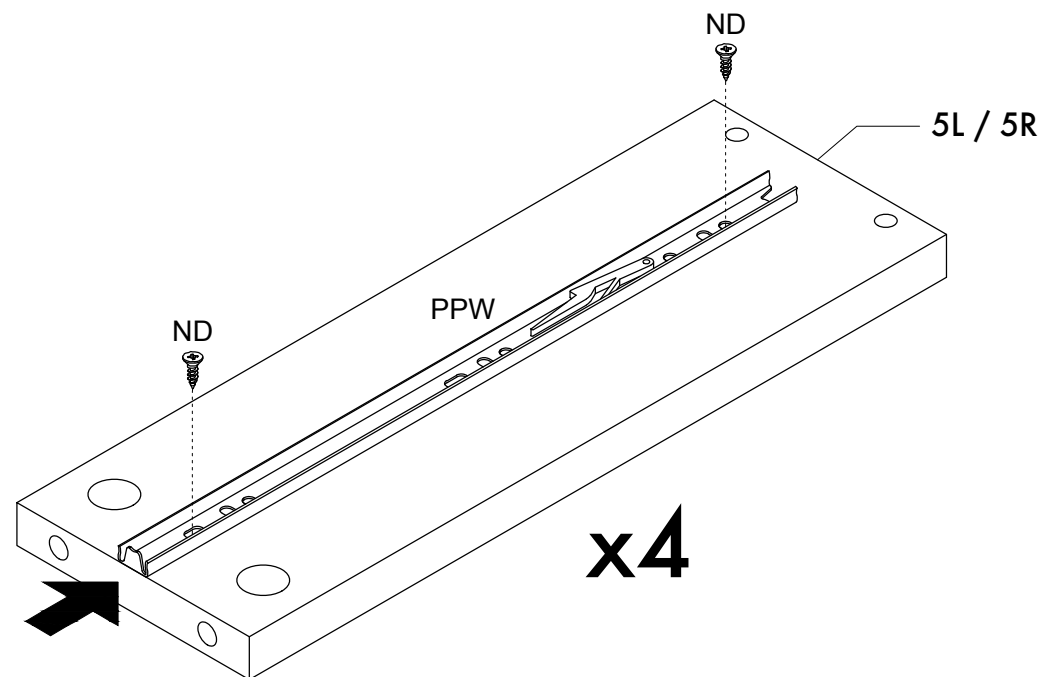
380x309x16mm



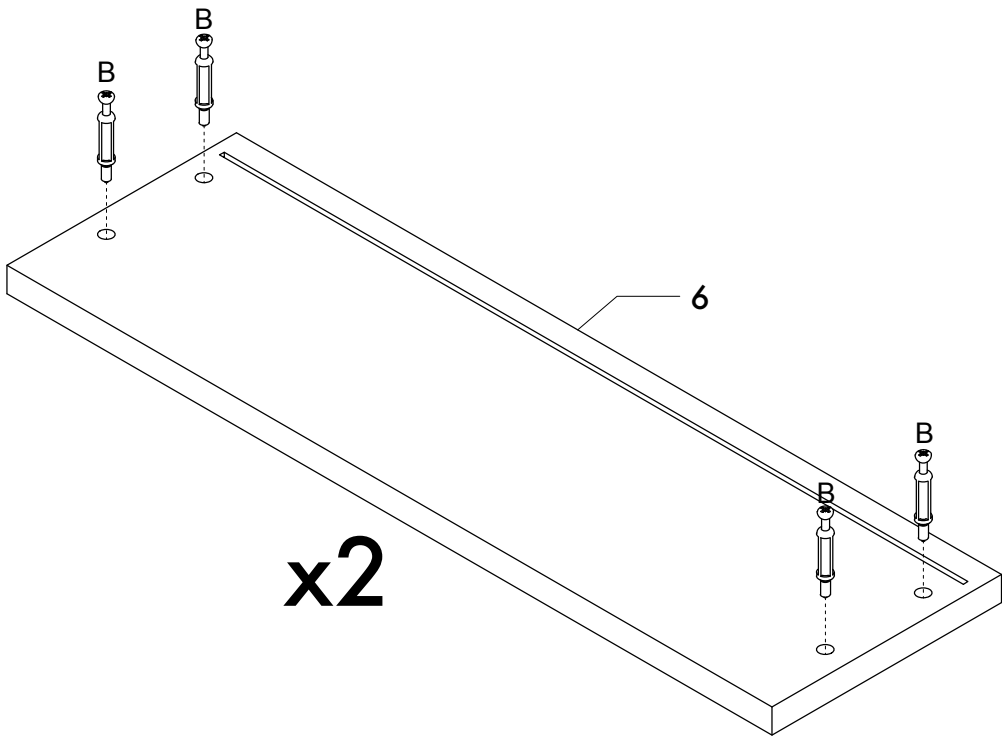
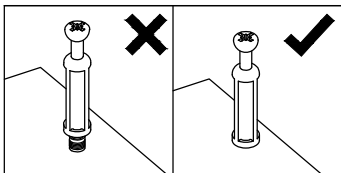
479x305x3mm



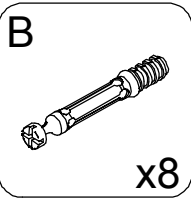
1



2

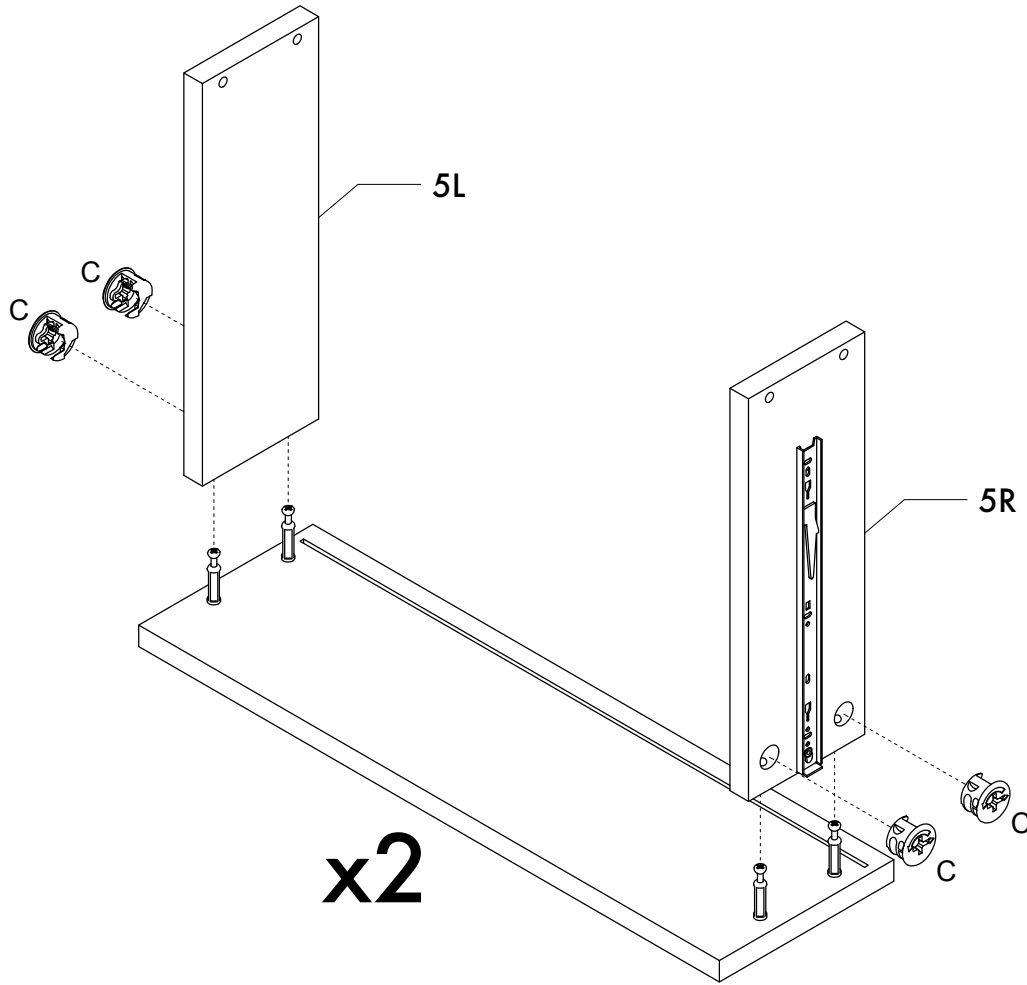
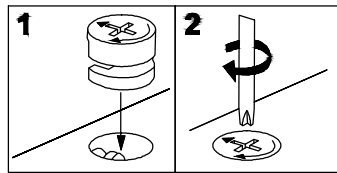


x2

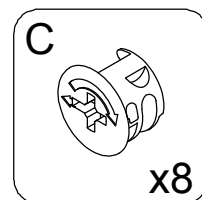


x8

3

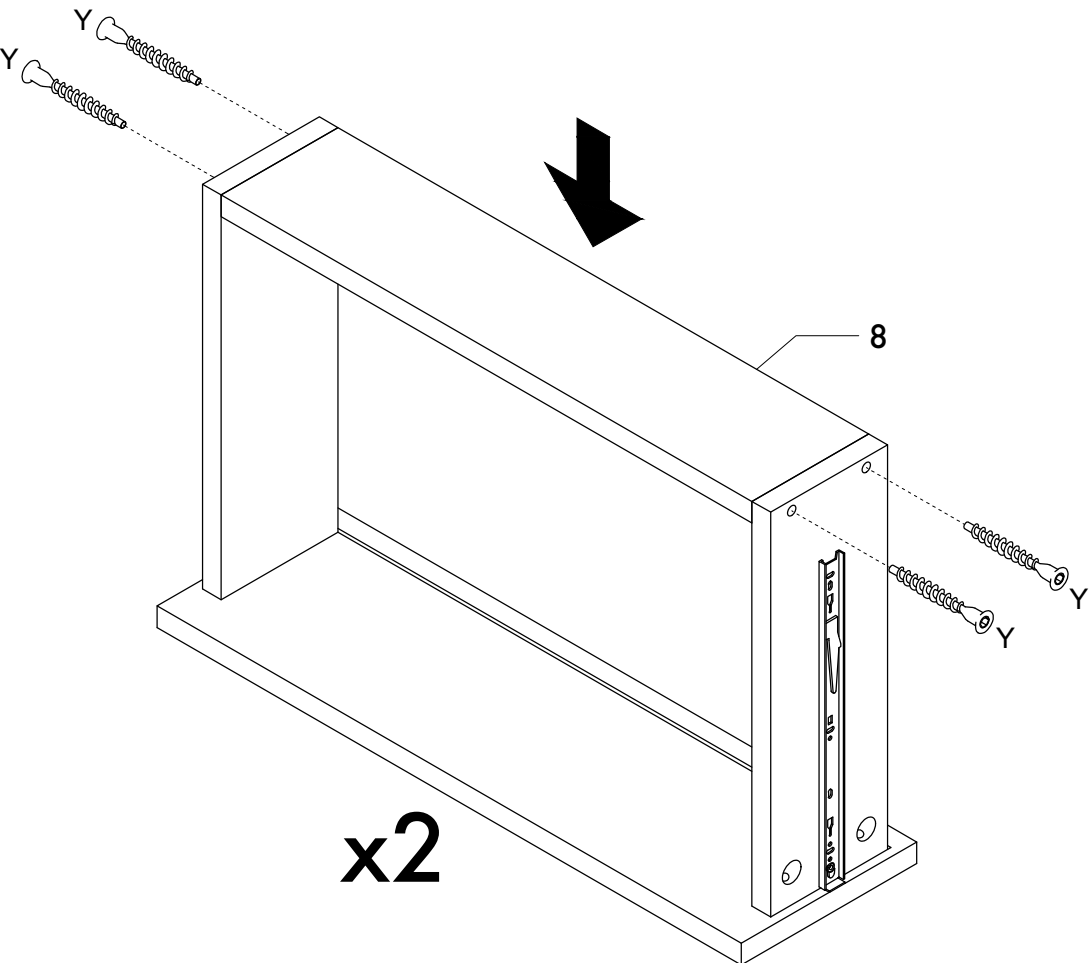


x2

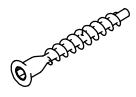
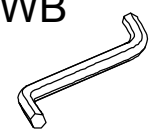


x8

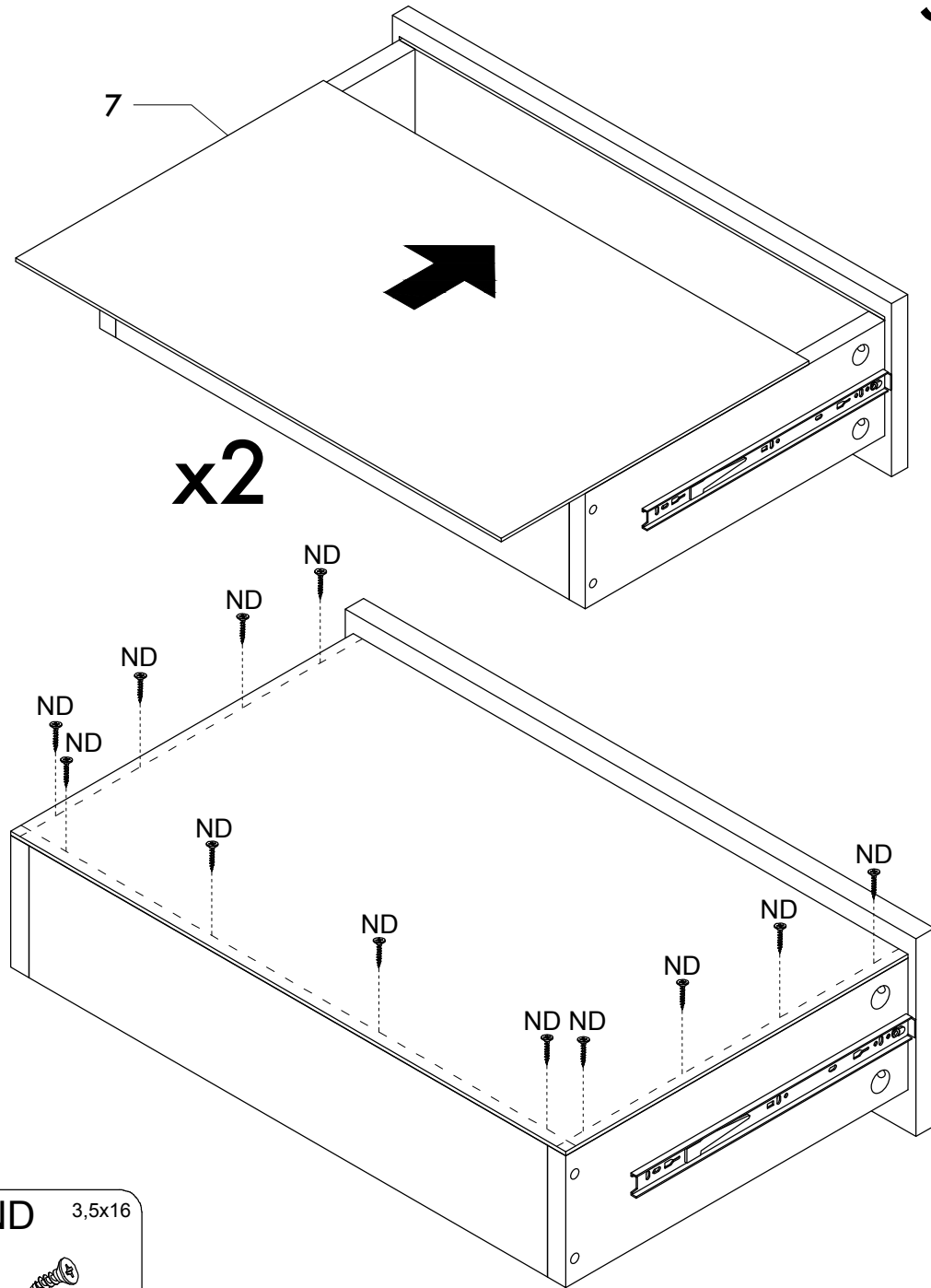
4



x2

<p>Y 7x50</p>  <p>x8</p>	<p>WB</p>  <p>x1</p>
--	---

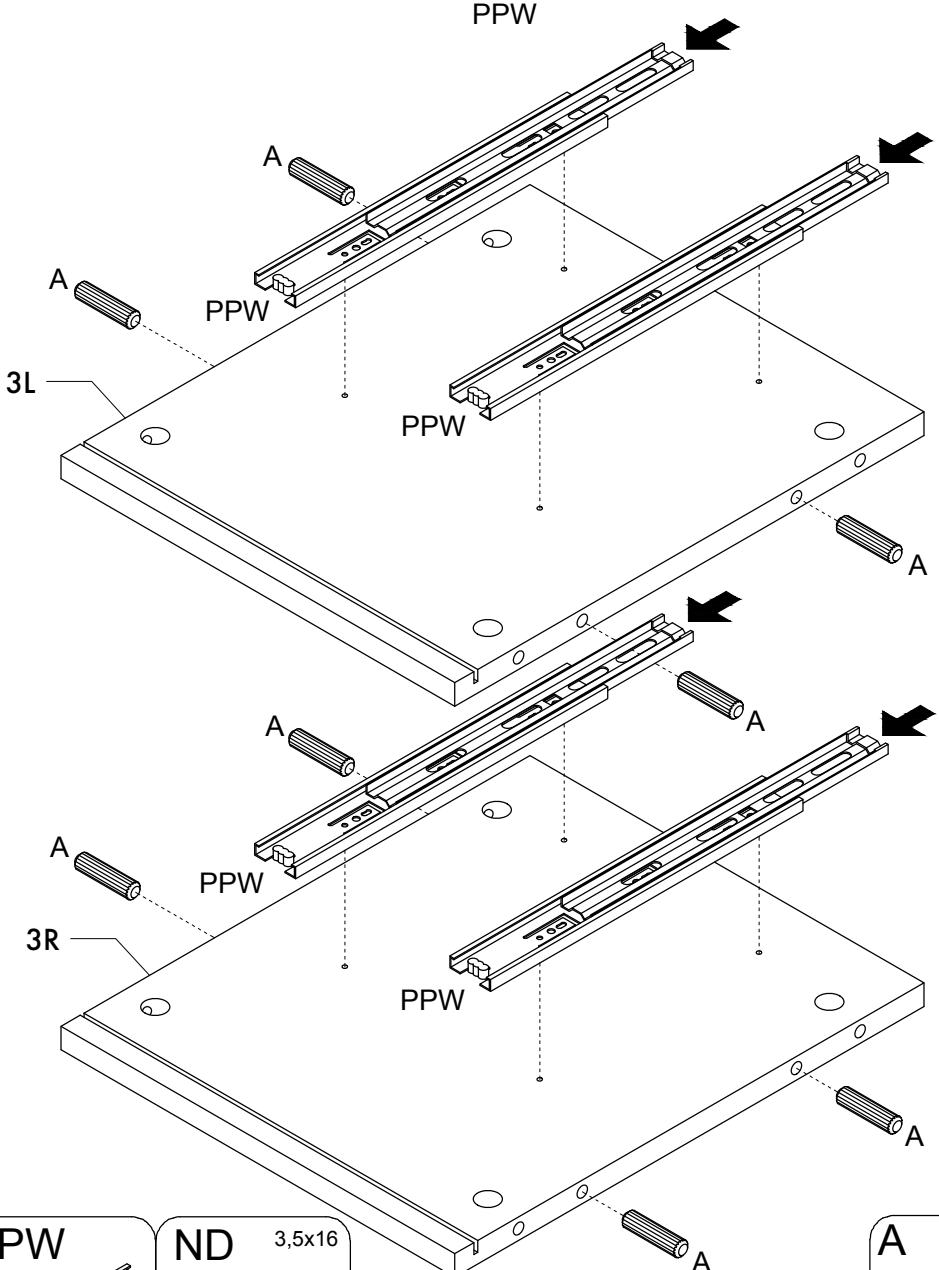
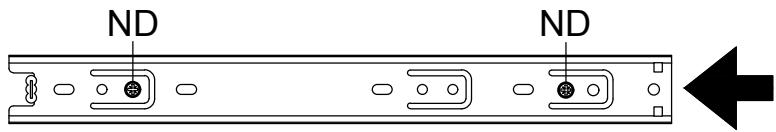
5





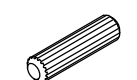
x2

<p>ND 3,5x16</p>  <p>x24</p>
---

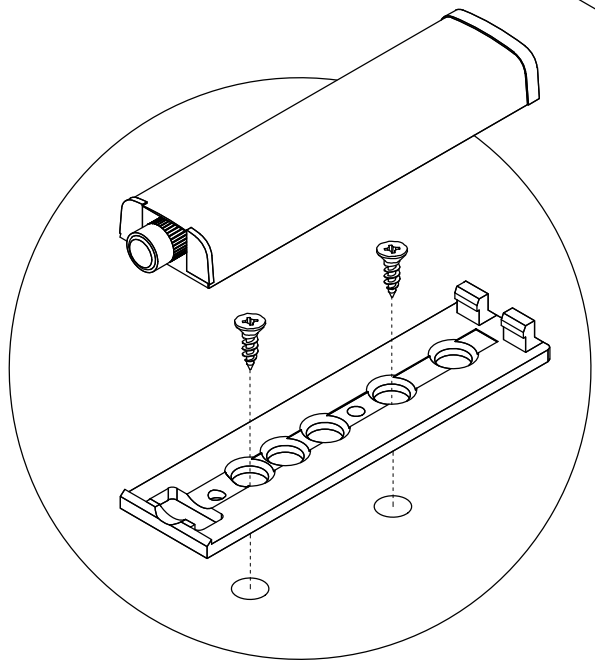
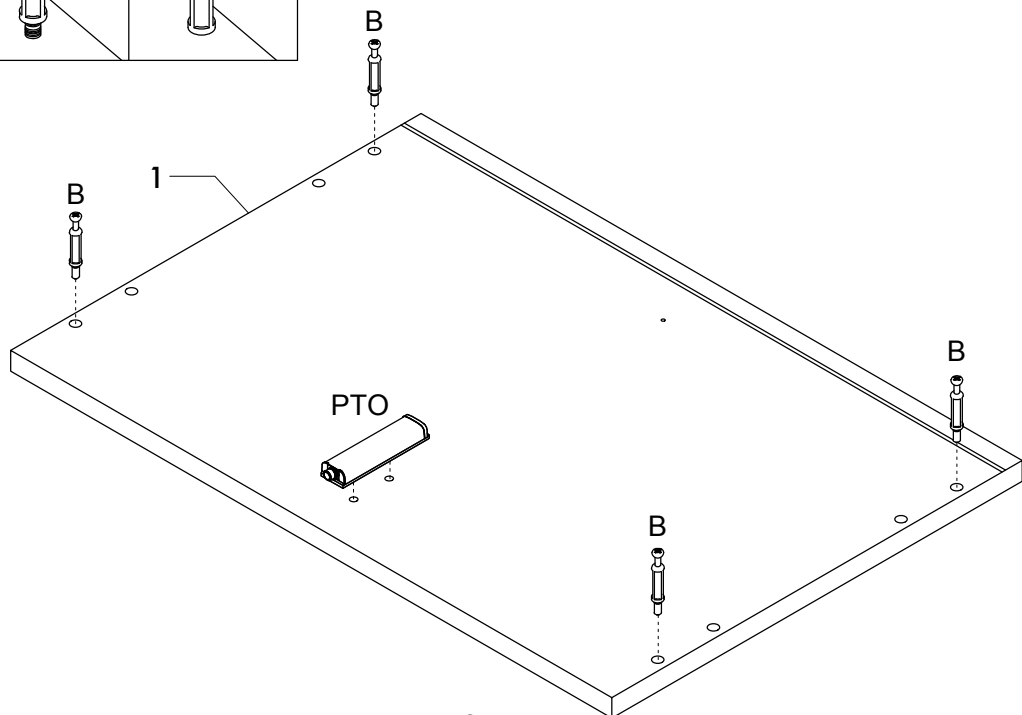
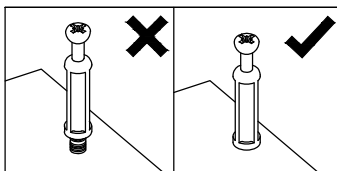
6

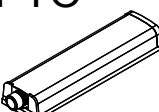
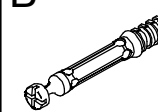


<b>PPW</b>  x4	<b>ND</b> 3,5x16  x8
--	---

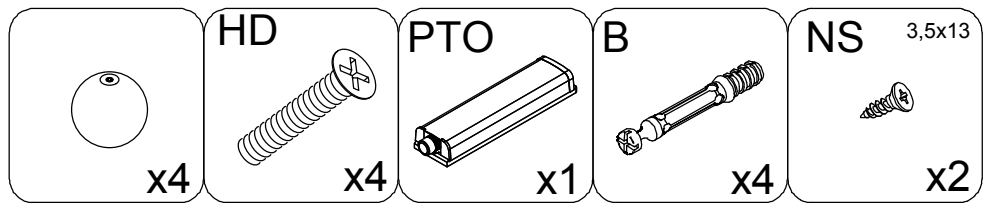
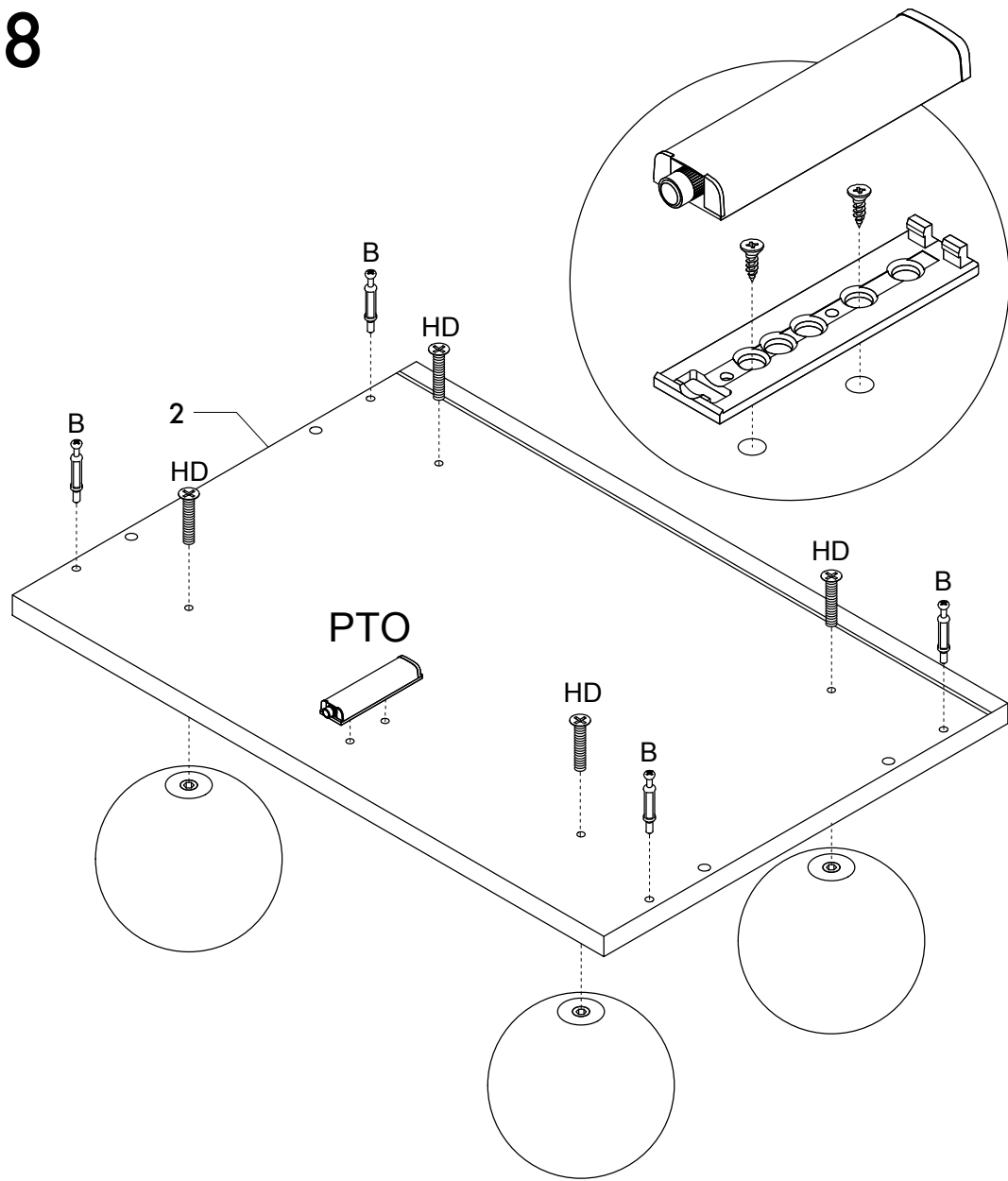
<b>A</b>  x8
--

7



<b>PTO</b>  x1	<b>B</b>  x4
---	---

8



9

