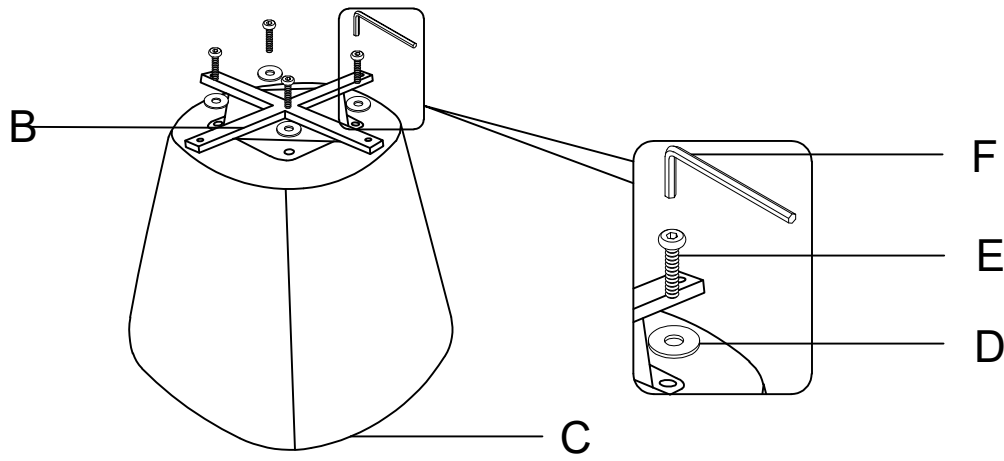
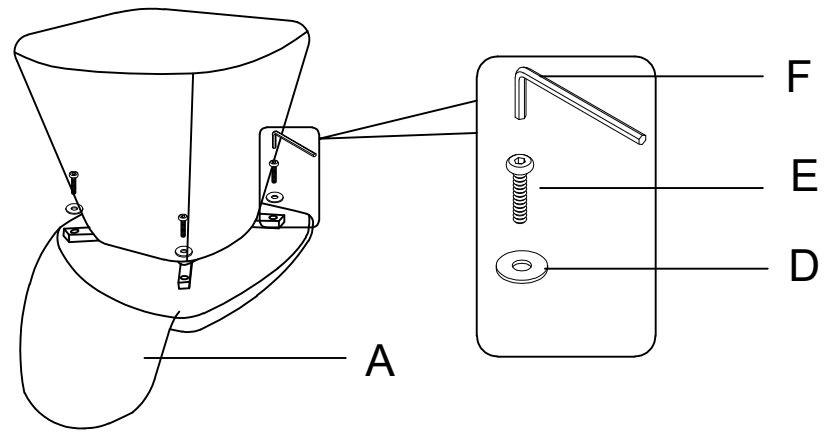


ASSEMBLY INSTRUCTION

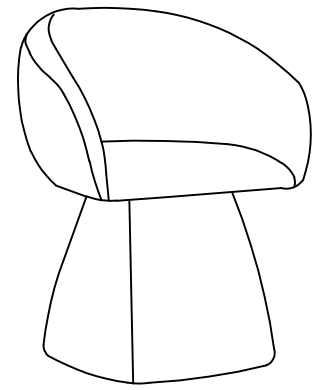
1



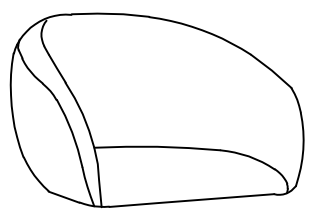
2



3

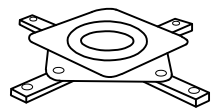


A



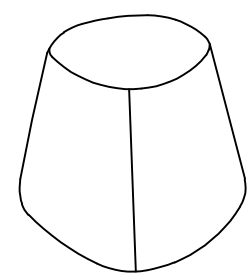
x1

B



x1

C



x1

D



M6-18x1.5

x8

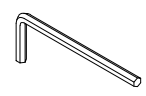
E



M6x30

x8

F



M5

x1